



TRI TOOL INC.
MODEL CBM-1 COUNTERBORE MODULE KIT
TECHNICAL SPECIFICATION

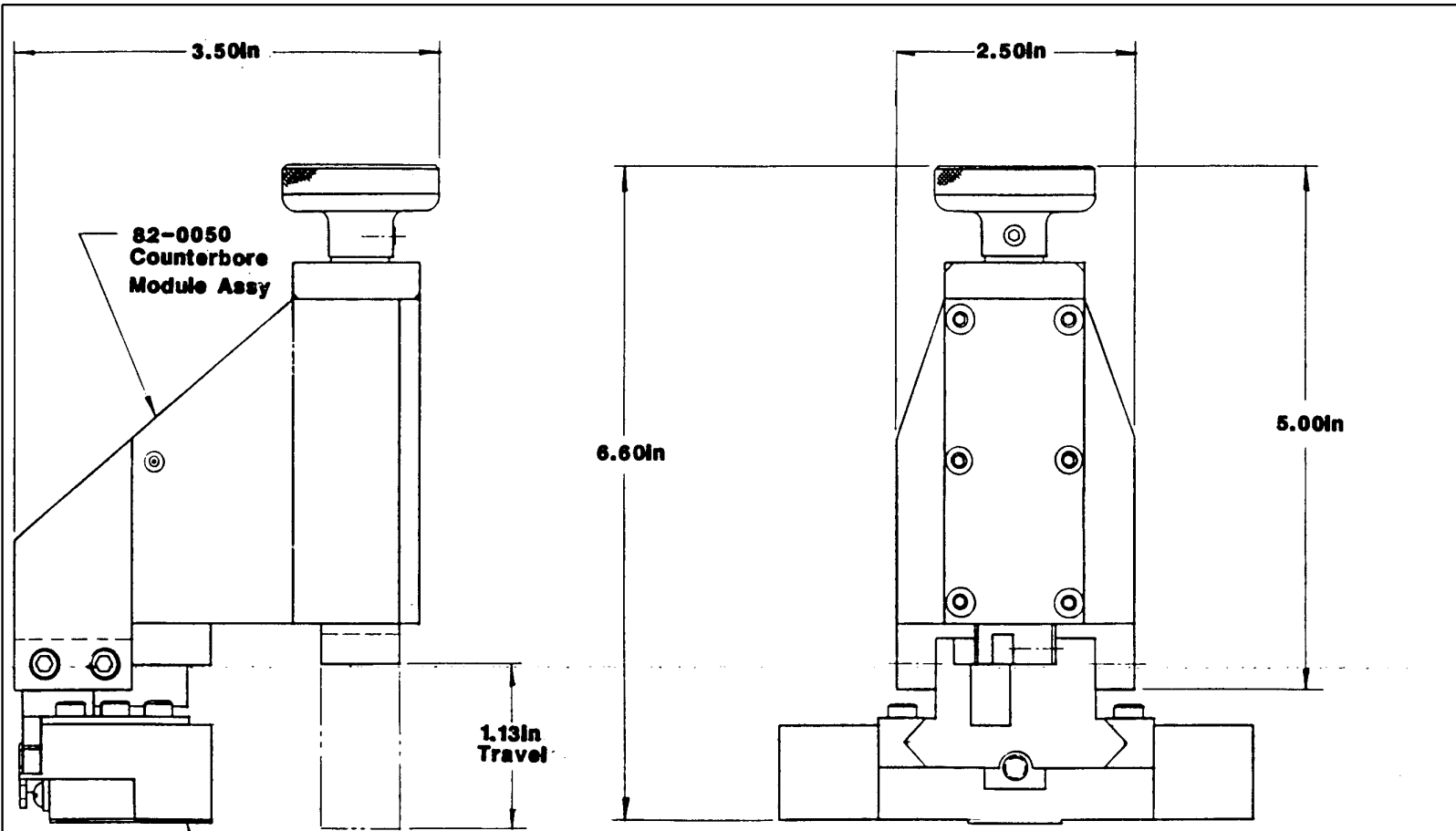
May 1, 1989

MODEL CBM-1 COUNTERBORE MODULE KIT (P/N 05-0128)

The Model CBM-1 Counterbore Module Kit is a mechanical accessory to Tri Tool Models 601SBM, 602.5SBM and 602TSB Clamshells that provides the capability to counterbore pipe after an in-line spool has been removed. The counterbore module kit mounts to Tri Tool's 08-0036 (601SBM and 602.5SBM) or 08-0107 (602TSB) standard tool blocks and is infinitely adjustable to allow most counterbore diameters consistent with the clamshell to which the module is mounted. Kit includes one 82-0050 basic assembly, Mounting Adaptor, and two tool bits.

Design and Operating Features

1. Module can be mounted directly to the standard blocks.
2. Manual axial feed.
3. Infinitely adjustable radial feed.
4. No loose pieces.
5. Fits schedules 5S through 40S on 3/4" pipe and all schedules of 1" through 2 1/2" pipe.
6. Accepts many tool bit styles.
7. No reset of clamshell is required after severing in-line pipe. This assures that the counterbore will run perpendicular to the sever line and concentric to a sever and bevel cut for constant land thickness.
8. Easy access to the pipe bore allows counterbore diameter to be checked without removing any components from the clamshell.



COMPANY CONFIDENTIAL
 PROPRIETARY PROPERTY OF TRI TOOL INC.
 NO REPRODUCTION, USE, OR DUPLICATION OF THE
 DESIGNS SHOWN HEREON IS PERMITTED WITHOUT
 EXPRESS WRITTEN CONSENT FROM TRI TOOL INC.
 3808 SECURITY PARK DRIVE, RANCHO CORDOVA, CA 95742
 COPYRIGHT TRI TOOL INC.

QTY	FORM	PART OR	DESCRIPTION	MATERIAL
REQD	NO.	DESCRIPTION	OR IDENTIFIER	SPECIFICATION
PARTS LIST				
UNLESS OTHERWISE SPECIFIED DIMENSIONS ARE TO DIMENSIONS UNLESS NOTED OTHERWISE		 Envelope Model 82-0050		
APPROVED	DATE	REV	DATE	REV
JRALEY	1/4/29			
DESIGNED	DATE	SCALE	DWG. NO.	REV
PEAFRAH	2/7/22	B	77-0792	
APPRECIATION	DO NOT SCALE DIMENSIONS	SCALE	SHEET	OF