



# TRI TOOL INC.

## TRI TOOL INTERNATIONAL INC.

3806 Security Park Drive, Rancho Cordova, CA 95742-6990 U.S.A. 916-351-0144, 800-345-5015 FAX 916-351-0372 [ttcustserv@aol.com](mailto:ttcustserv@aol.com) [www.tritool.com](http://www.tritool.com)

### TRI TOOL INC. TECHNICAL SPECIFICATION MODEL 620RBL LOW PROFILE CLAMSHELL SEPTEMBER, 1999

#### MODEL 620RBL Low Profile Clamshell

Description: The 620RBL Low Profile Clamshell is a split-frame pipe lathe for severing and/or beveling in-line pipe with a range of 14" through 20" nominal diameter with minimal radial and axial clearances.

#### Design and Operating Features

1. Easily adjustable precision 90° -Vee bearings preload and stabilize the rotating head to provide long life, low maintenance, stability and precision.
2. The clamshell splits into two halves for mounting on closed looped systems. All parts are secured to the two halves to avoid loss of parts and provide maximum ease of handling.
3. The clamshell is equipped with jackscrews and adjustable mounting pads for out-of-round pipe conditions.
4. Dual tool modules with auto-feed star wheels and adjustable slide ways provide maximum maintainability, life and operator safety with minimum operator training.
5. The gear reduction, auto-feed star wheels provide .0025" (.06mm) of radial feed per revolution for a controlled depth of cut.
6. Drive gears and bearing surfaces are covered for operator safety and sealed to prevent cutting chip damage.
7. Operator controls are away from the rotating head for operator safety.
8. Modular design concepts provide quick, easy maintenance and maximum versatility in drive and tooling options.
9. The clamshell has 90° -Vee bearings that are field adjustable back to zero tolerance.

## Specifications

1. Reference Envelope Drawing No. 77-1308, 77-1351.
2. Cutting capacities\* 14" through 20" pipe: with std. tool modules:
  - a. Severing with standard procedures 2.50" (63.5mm) wall
  - b. Severing and single beveling 1.00" (25.4mm) wall
  - c. Severing and double beveling 1.00" (25.4mm) wall
  - d. Severing and beveling w/ special procedures 2.00" (50.8mm) wall

\*Materials include, but are not limited to: carbon steel, low alloy steel, chrome steel (20% max.), chrome / molly alloys (Rc 32 max), austenitic stainless steel, inconel, copper, aluminum and copper nickel alloys.

3. Clearances: (see Envelope drawings)
4. Drive Options:
  - a. Single or dual right angle air motors:  
Single air requirements @ 90 PSI ( 6.3 kg/cm<sup>2</sup> ) 80 CFM ( 38 lt/sec )  
Head Speed @ maximum horsepower 5 RPM
  - b. Single or dual inline hydraulic motors  
(requires separate hydraulic power supply. Ref: 765RVC technical specifications)
  - c. Single Heavy Duty electric motor Ref: Dwg. 77-1418
5. Tool Modules:
  - a. Working diameter range 14" - 20 " pipe
  - b. Feed rate .0025" (.06mm )/rev
6. Mounting:

4 fully adjustable mounting pads with additional mounting jackscrews for 14", 16", 18", and 20" pipe.
7. Approximate weights:

Basic machine w/ 2 drive housings	148 lbs. (67.2kg)
Standard Tool Modules	18lbs (8.2kg) /module
Hydraulic Motors	34 lbs. (15.4 kg) ea.
Air Motors	19 lbs. (8.6 kg) ea.
Electric Motor - Heavy Duty	30 lbs. (13.6kg)

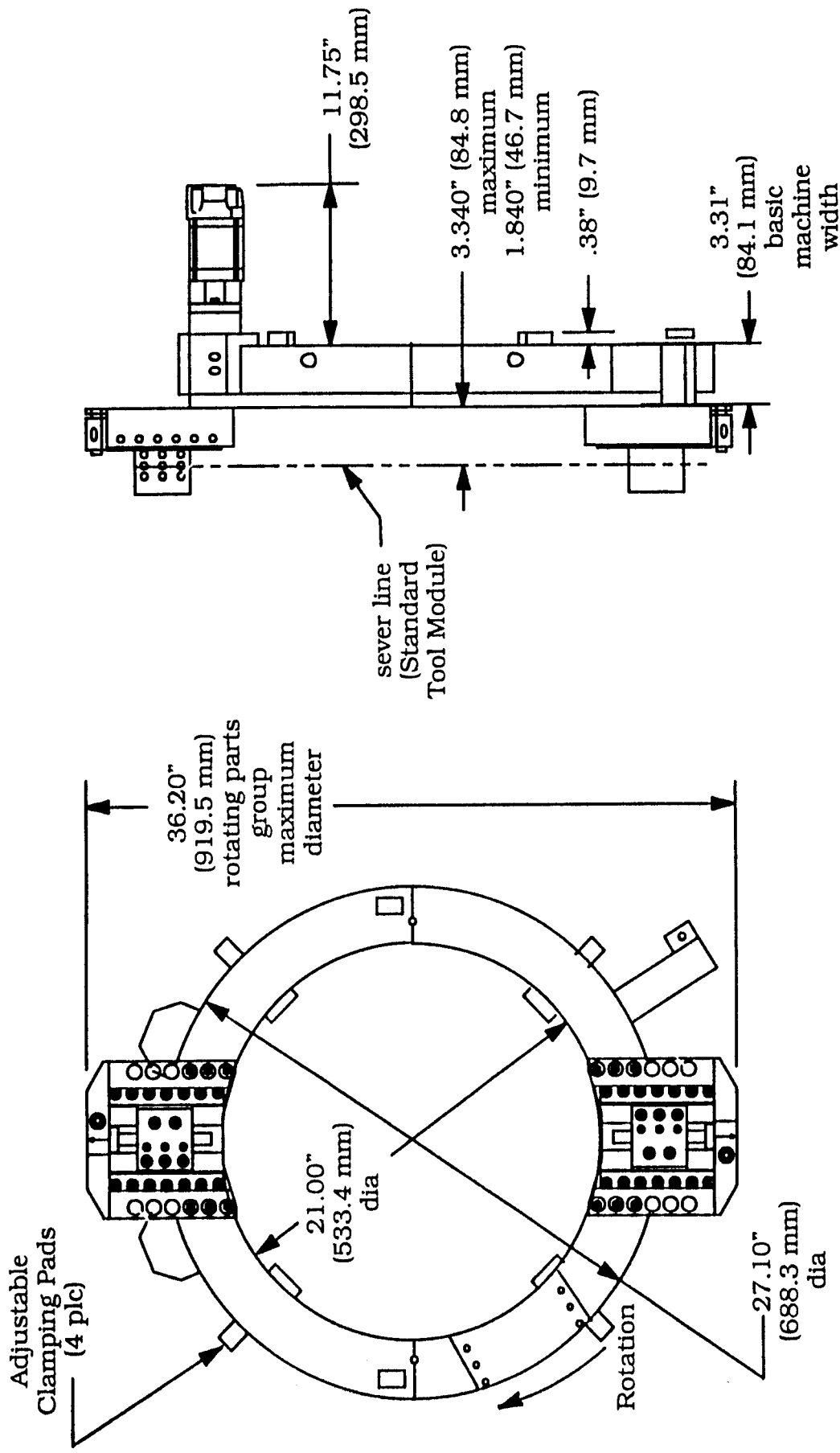
Spare parts and standard tool bits are available from stock.


Engineering design services for custom tool bits and special function modifications are available from the factory.

All Tri Tool and allied equipment products are subject to design improvements and specification changes at any time with no obligation to units already sold.

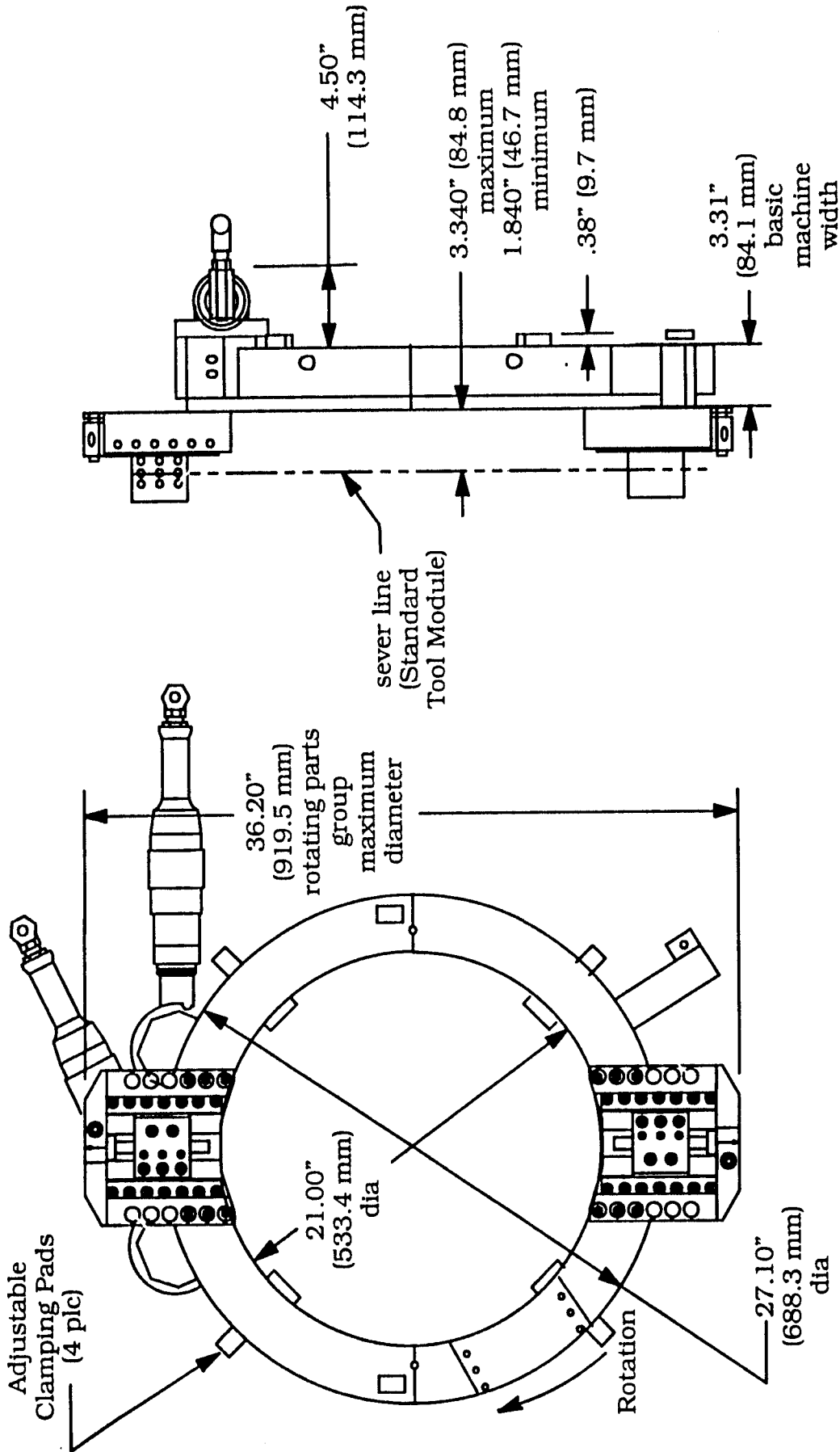
Warranty (limited), parts and/or equipment are warranted against defects in material and workmanship for a period of one year from date of purchase. Full details supplied on request and/or with tools.

Filter, regulator, lubricator required to protect warranty on air powered tools.



 <b>TRI TOOL INC.</b> 3806 SECURITY PARK DRIVE, RANCHO CORDOVA, CA 95742-6890		<b>Envelope Drawing</b> <b>Model 62ORBL Clamshell, Hyd</b>		DWG. NO. <b>77-1308</b> REV.
CONTRACT NO.	APPROVALS DRAWN <b>PFAFMAN</b> CHECKED ISSUED	DATE 1/5/95	FSCM NO. <b>A</b>	SCALE <b>None</b>
<b>DO NOT SCALE DRAWING</b>			SHEET <b>1</b> of <b>1</b>	

**COMPANY CONFIDENTIAL**  
 PROPRIETARY PROPERTY OF TRI TOOL INC.  
 NO REPRODUCTION, USE, OR DUPLICATION OF THE  
 DESIGNS SHOWN HEREON IS PERMITTED WITHOUT  
 EXPRESS WRITTEN CONSENT FROM TRI TOOL INC.  
 3806 SECURITY PARK DRIVE, RANCHO CORDOVA, CA 95742-6890  
 TRI TOOL INC.  
 COPYRIGHT



Copyright © propriety property of TRI TOOL Inc. No reproduction, use or duplication of the information hereon is permitted without the express written consent of TRI TOOL Inc.



**TRI TOOL INC.**  
3806 SECURITY PARK DRIVE, RANCHO CORDOVA, CA 95742-6880

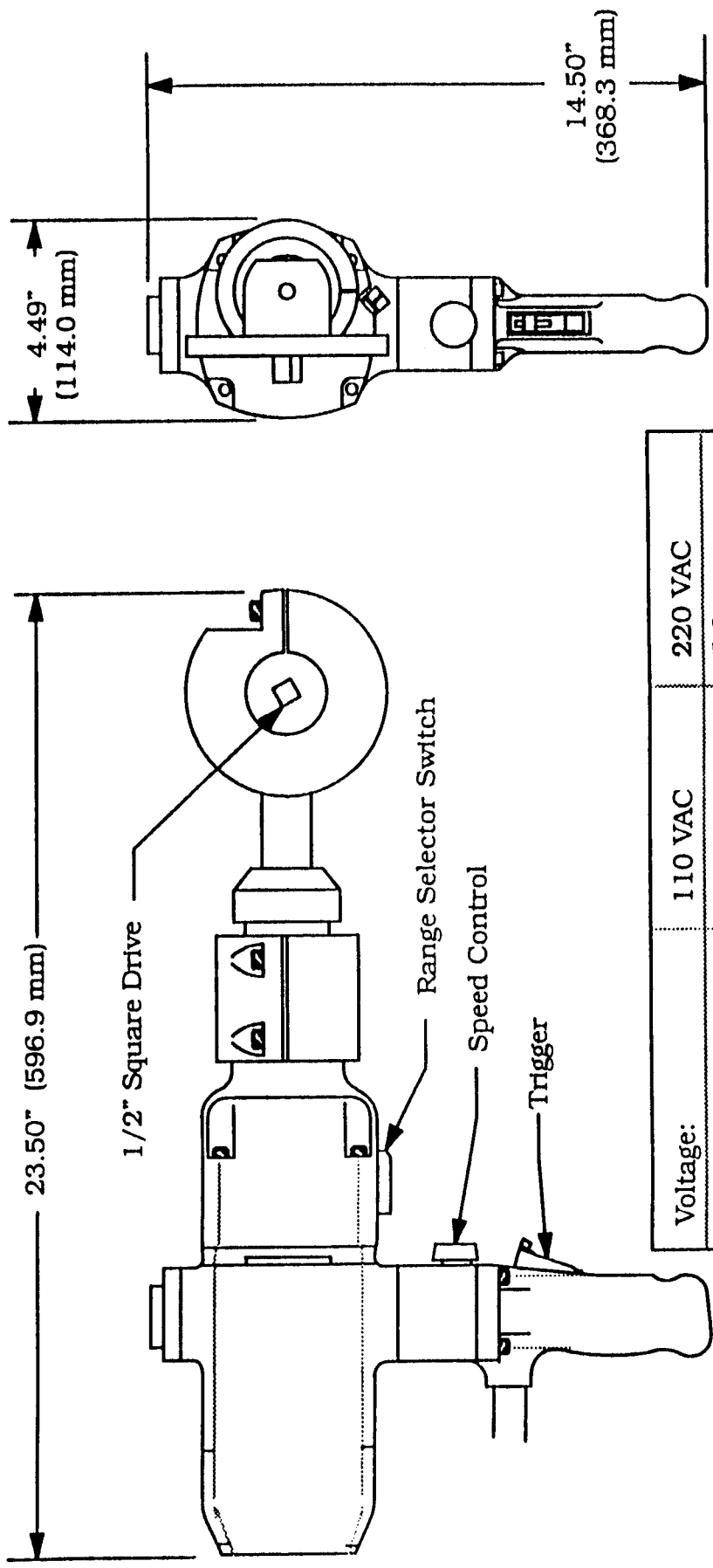
Envelope Drawing  
**Model 620RBL Clamshell, Air**

REV	DWG. NO. <b>77-1351</b>	SHEET 1 of 1
SIZE <b>A</b>	FSCM NO.	SCALE None

CONTRACT NO.	DATE
APPROVALS	1/5/95
DRAWN <b>PFAFMAN</b>	
CHECKED	
ISSUED	
<b>DO NOT SCALE DRAWING</b>	

**COMPANY CONFIDENTIAL**  
PROPRIETARY PROPERTY OF TRI TOOL INC.  
NO REPRODUCTION, USE, OR DUPLICATION OF THE  
DESIGNS SHOWN HEREON IS PERMITTED WITHOUT  
EXPRESS WRITTEN CONSENT FROM TRI TOOL INC.  
3806 SECURITY PARK DRIVE, RANCHO CORDOVA, CA 95742-6880  
COPYRIGHT  
TRI TOOL INC.





Voltage:	110 VAC	220 VAC
Amperage:	10.4 amps	5.2 amps
Wattage:	1050 watts	1050 watts
Speed, full load (rpm):	79-132/157-264	
Speed, no load (rpm):	86-193/171-386	

**TRI TOOL Inc.**  
3806 SECURITY PARK DRIVE, RANCHO CORDOVA, CA 95742-6990

Envelope Drawing  
Electric Motor for the 600RBLs

CONTRACT NO.	APPROVALS	DATE	REV.
	PFAPMAN	3/7/95	
	CHECKED		
	ISSUED		

SIZE	FSCM NO.	DWG. NO.	REV.
A		77-1418	

**DO NOT SCALE DRAWING**

SCALE None SHEET 1 of 1

**COMPANY CONFIDENTIAL**  
 PROPRIETARY PROPERTY OF TRI TOOL INC.  
 NO REPRODUCTION, USE, OR DUPLICATION OF THE  
 DESIGNS SHOWN HEREIN IS PERMITTED WITHOUT  
 EXPRESS WRITTEN CONSENT FROM TRI TOOL INC.  
 3806 SECURITY PARK DRIVE RANCHO CORDOVA CA 95742-6990  
 TRI TOOL INC.  
 COPYRIGHT