

TABLE OF CONTENTS

CUSTOMER MESSAGE	Inside Front Cover
SAFETY PRECAUTIONS	3
GENERAL DESCRIPTION	6
SPECIFICATIONS	7
SETUP AND OPERATION	8
MAINTENANCE	10
ILLUSTRATED PARTS BREAKDOWN	11
TOOL BIT RESHARPENING POLICY	Inside Back Cover
WARRANTY INFORMATION	Inside Back Cover

Copyright 2010
Proprietary property of TRI TOOL Inc.
No reproduction, use, or duplication of the
information shown hereon is permitted without the
express written consent of TRI TOOL Inc.

SAFETY PRECAUTIONS

IN GENERAL

When using rotating head cutting equipment, basic safety precautions should always be followed to reduce the risk of personal injury.

Operate this tool only in accordance with specific operating instructions.

WARNING:

Do not override the deadman switch on the power unit. Locking down, obstructing, or in any way defeating the deadman switch on the power drive unit may result in serious injury.

DRESS CONSIDERATIONS

Use standard safety equipment. Hard hats, safety shoes, safety harnesses, protective clothes, and other safety devices should always be used when appropriate.

Use safety glasses. Do not operate cutting tools without eye protection.

Dress properly. Do not wear loose clothing or jewelry. They can be caught in rotating and moving parts. Avoid slippery floors or wear nonskid footwear. If you have long hair, wear protective hair covering to contain it.

WORK AREA

Keep the work area clean. Cluttered work areas and benches invite injuries.

Consider the work area environment. Keep the area well lit. Keep electrical cords, cables, rags, rigging straps, and etc. clear of rotating equipment. Do not use power-cutting tools in the presence of flammable liquids and gasses.

Keep visitors away. Do not let visitors or untrained personnel at or near operating tools. Enforce eye protection requirements for all observers.

Do not over reach. Keep proper footing at all times.

Stay alert. Watch what you are doing. Use common sense. Do not operate tools when you are tired.

TOOL CARE

Maintain tools with care. Keep tools in good operating condition. Sharp tool bits perform better and safer than dull tool bits. Well maintained tools function properly when needed.

Check for damaged parts. If a tool has malfunctioned, been dropped or hit, it must be checked for damage. Run no-load tests and feed function checks. Do a complete visual inspection.

Electric motors. Use only with proper AC voltage power sources and observe all normal electric shock hazard procedures.

Do not abuse power and control cords. Pulling or running over cords and cables can result in electrical shock hazards and malfunctions. Keep control and power cords out of all cutting fluids and water.

Hydraulic drives. Observe proper procedures for electrically driven power sources. Avoid damage to hydraulic lines. Keep quick-disconnects clean. Grit contamination causes malfunctions.

Air tools. Check the exhaust muffler. Broken or damaged mufflers can restrict air flow or cause excessive noise. Use air motors only with a filtered, lubricated and regulated air supply. Dirty air, low-pressure air or over pressure air will cause malfunctions, including delayed starting.

AREA EQUIPMENT

Secure work. Whenever possible use clamps, vises, chains and straps to secure pipe.

Make sure the tool is secured; it is safer to have both hands free to operate the tool.

TOOL USE

Use the right tool and tool bit for the job. Do not use a tool, which is incorrect for the job you are doing.

Keep the tool bits fully engaged in the tool bit holders. Loose bits are a safety hazard.

Models 204B, 208B and 214B Squaring Plate

Disconnect the power supply during setup and maintenance. Use all 'Stop' or 'Shut off' features available when changing or adjusting tool bits, maintaining the tool, or when the tool is not in use.

Remove adjusting keys and wrenches before applying power to the equipment. Develop a habit of checking the tool before turning it on to make sure that all keys and wrenches have been removed.

Do not force tools. Tools and tool bits function better and safer when used at the feed and speed rate for which they were designed.

Do not reach into rotating equipment. Do not reach into the rotating head stock to clear chips, to make adjustments, or to check surface finish. A machine designed to cut steel will not stop for a hand or an arm.

Handle chips with care. Chips have very sharp edges and are hot. Do not try to pull chips apart with your hands; they are very tough.

Avoid unintentional starts. Do not carry or handle tools with your hand on the operating switches or levers. Do not lay the tool down in a manner that will start the drive. Do not allow the tool to flip around or move when adjusting or changing tool bits.

Store idle tools properly. Disconnect tools from the power source and store in a safe place. Remove tool bits for safe handling of the tool.

GENERAL DESCRIPTION

The information contained in this manual should be used in conjunction with the Model 200 Series and Accessories available.

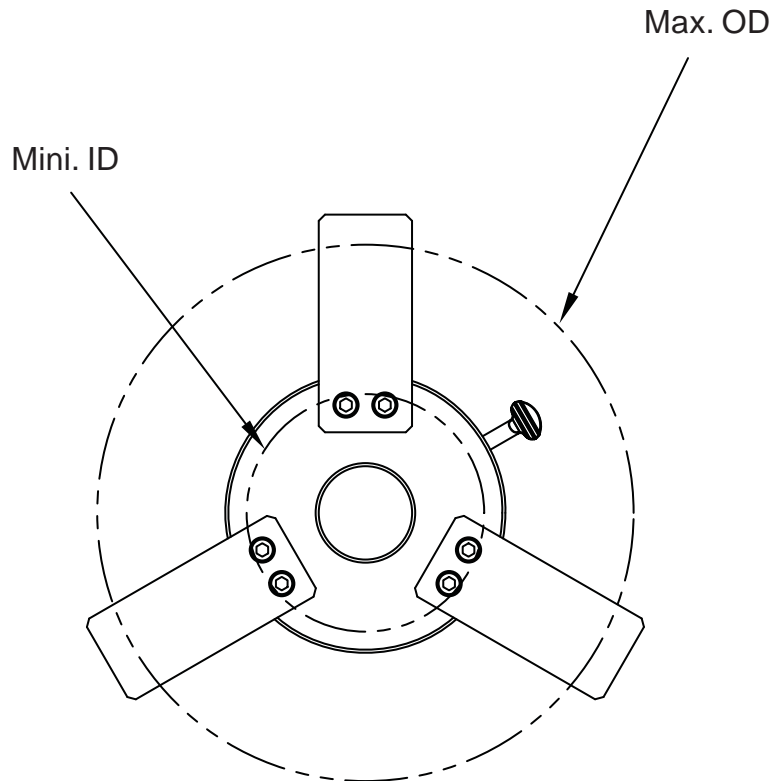
The Squaring Plate Kit is an accessory for the Model 204, 208B and/or 214B BEVELMASTER[®], and/or the Elbow Mandrel and Miter Mandrel Accessories.

The Squaring Plates are used in the aid of setting up the mandrel to pipe/tube elbow.

SPECIFICATIONS

MODEL	MINI. ID	MAX. OD
204B	1.50" (39.4 mm)	4.50" (114.3 mm)
208B	3.82" (97.0 mm)	8.73" (214.1 mm)
214B	3.82" (97.0 mm)	14.00" (355.6 mm)

Minimum and Maximum Mounting Ranges



SETUP AND OPERATION

Always read the operating instructions carefully/completely before attempting to operate any of the BEVELMASTER® Series.

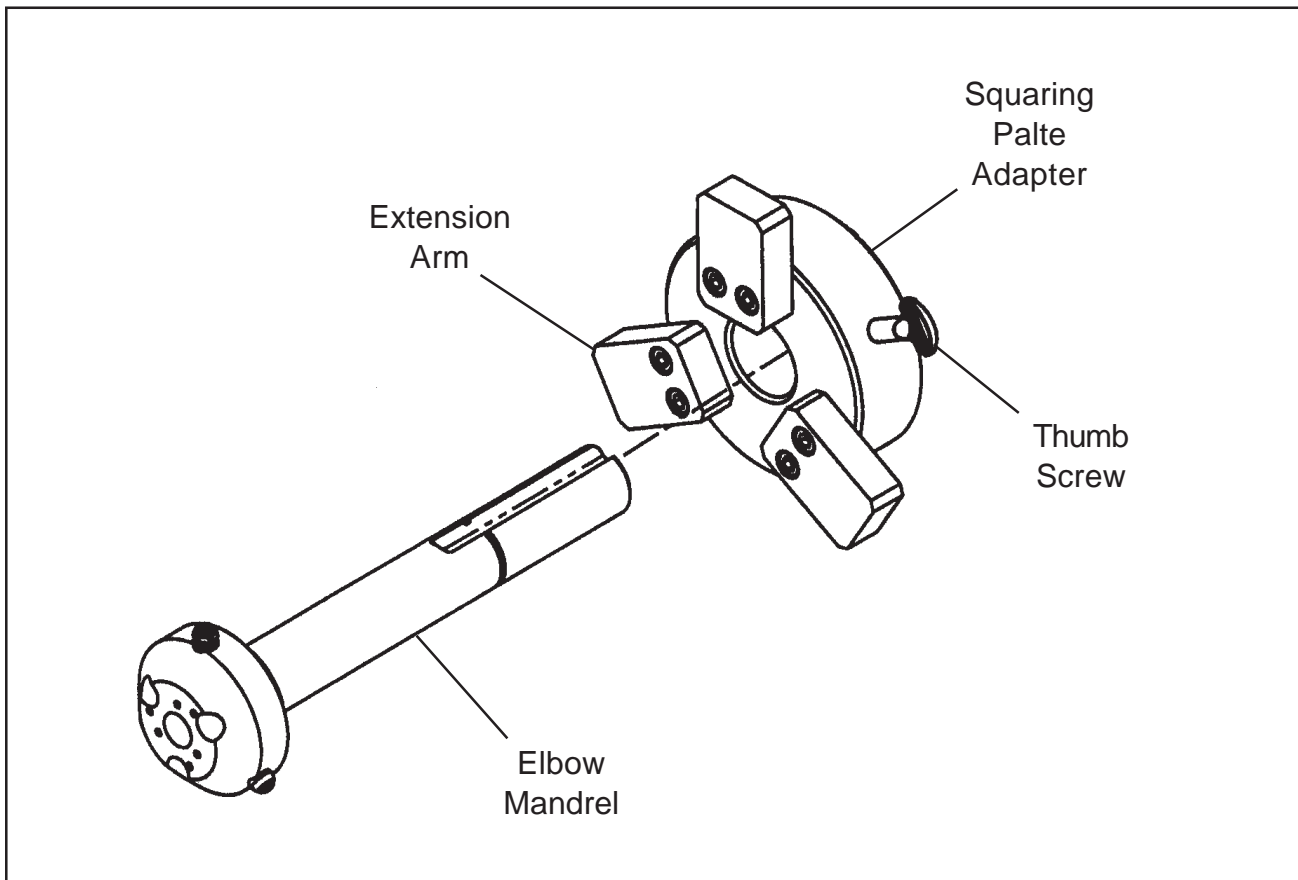
SETUP

Secure the three (3) extension arms on the Squaring Plate Adapter.

The end of the pipe elbow will be in contact with each when the center of the pipe elbow is roughly the same as the center of the Squaring Plate Assembly.

Slide the Squaring Plate Assembly over the back of the mandrel shaft.

Tighten the thumb screw to secure the Squaring Plate Assembly to the mandrel shaft.

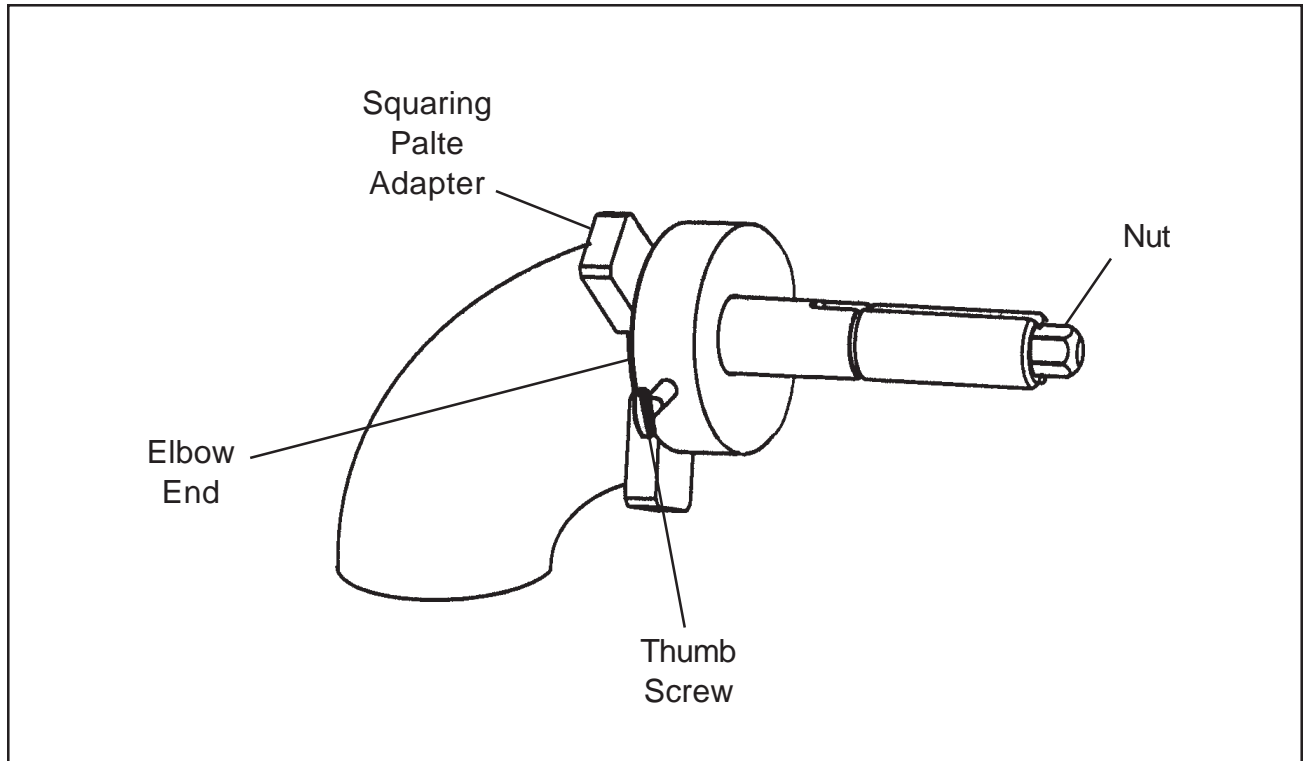


Models 204B, 208B and 214B Squaring Plate

Slide the Squaring Plate Assembly and mandrel into the end of the elbow/pipe.

The three (3) extension arms should be in contact with the end of the elbow/pipe.

Turn the nut on the end of the elbow mandrel to extend the centering pins out to the elbow ID.



Once the centering pins are tight against the wall, loosen the thumb screw.

Slide the Squaring Plate Assembly off of the mandrel.

The mandrel is now ready for the Model 200B to be mounted.

OPERATION

For operating instructions refer to the Model 200 Series and Accessories available.

MAINTENANCE

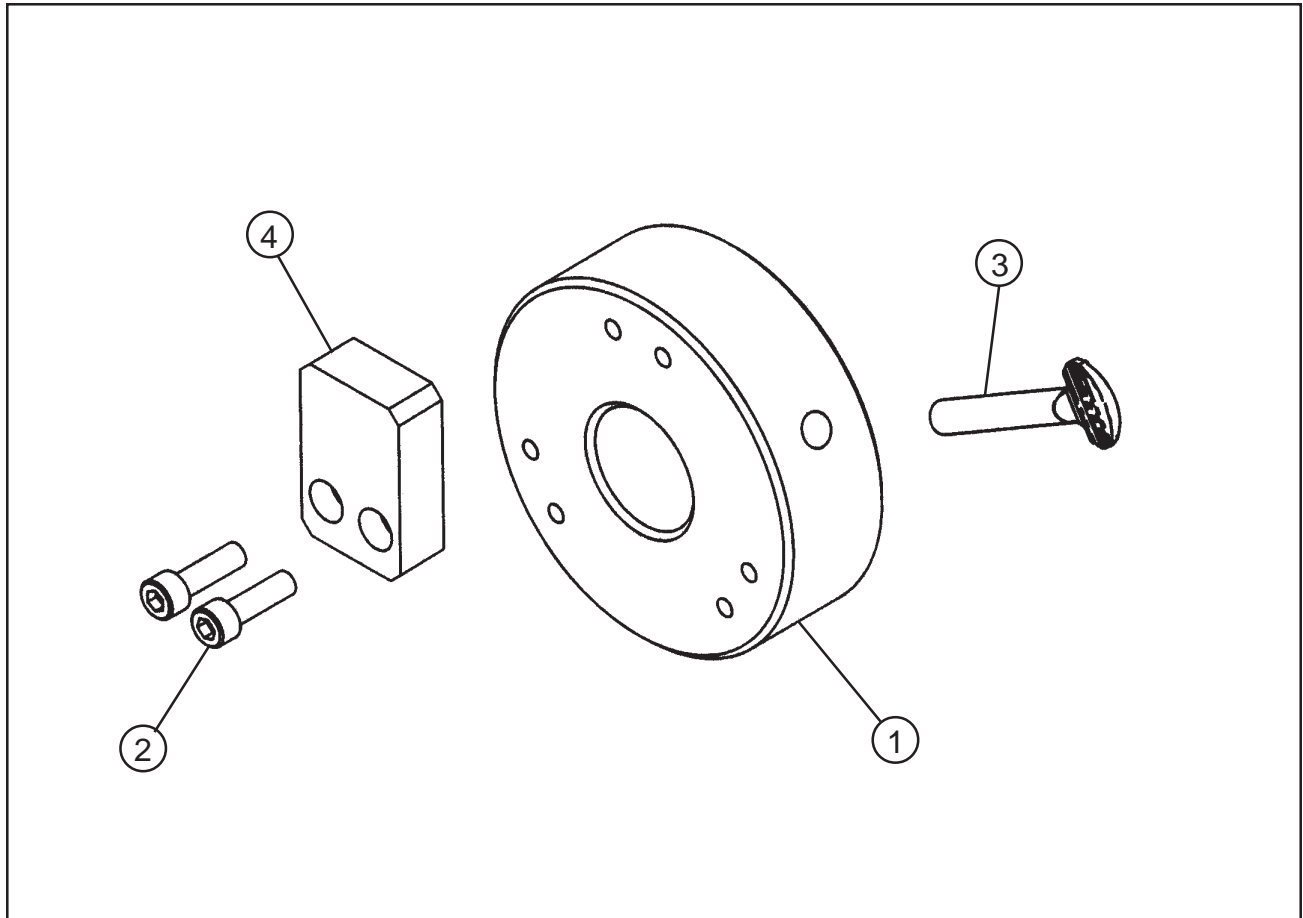
RECOMMENDED MAINTENANCE

Daily Before/After Operation

Clean and inspect for damage.

ILLUSTRATED PARTS BREAKDOWN

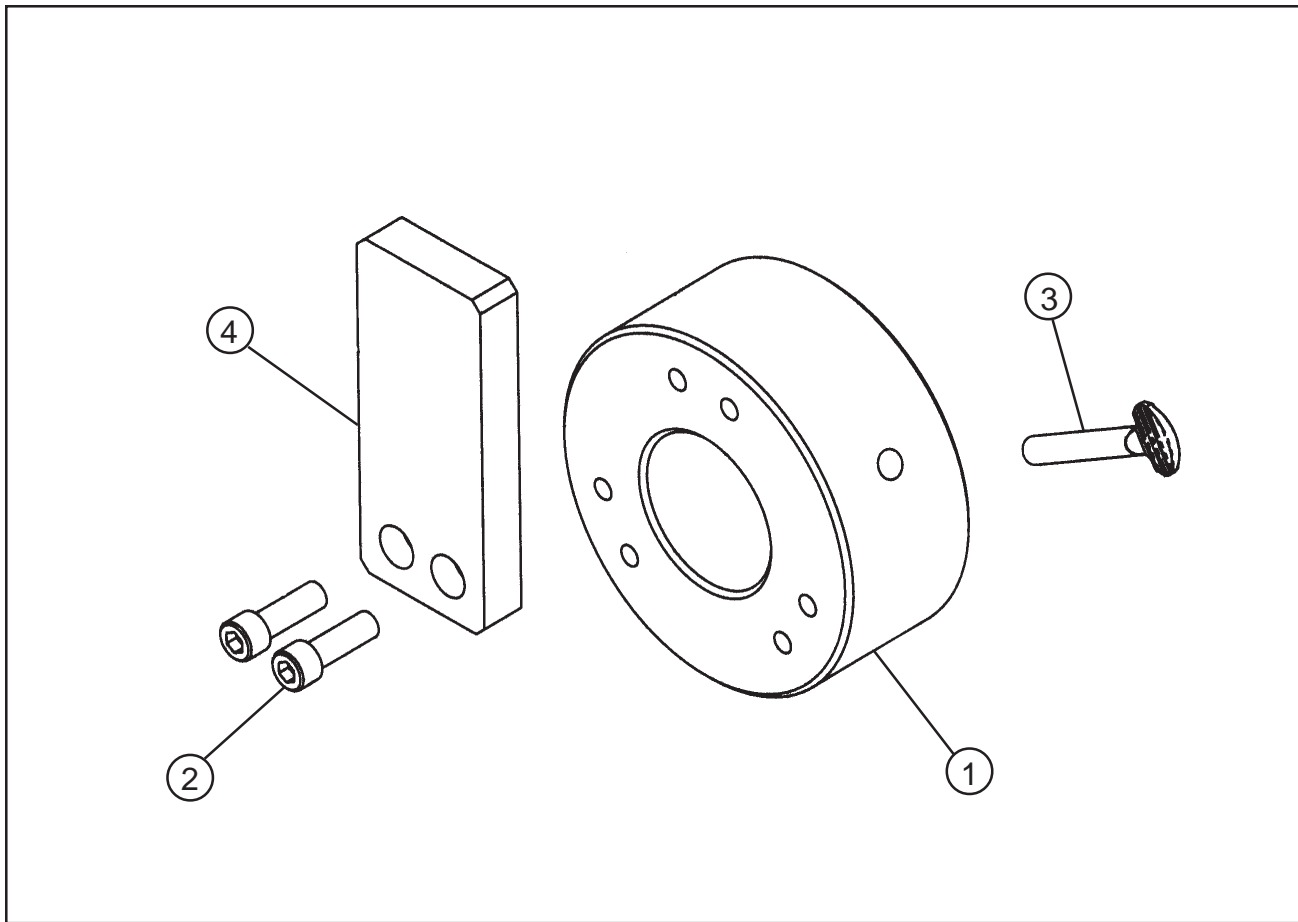
MODEL 204B SQUARING PLATE KIT (P/N 05-1330)



Parts List, Model 204B Squaring Plate Kit (P/N 05-1330)

Item No.	Part No.	Description	Qty
1.	27-0700	ADAPTER, SQ. PLATE, 204B	1
2.	33-0029	SCREW, CAP, #10-24 X 5/8"	6
3.	33-1750	SCREW, THUMB, BRASS, 1/4-20 X 1 1/2"	1
4.	63-0186	ARM, EXTENSION, 204B	3

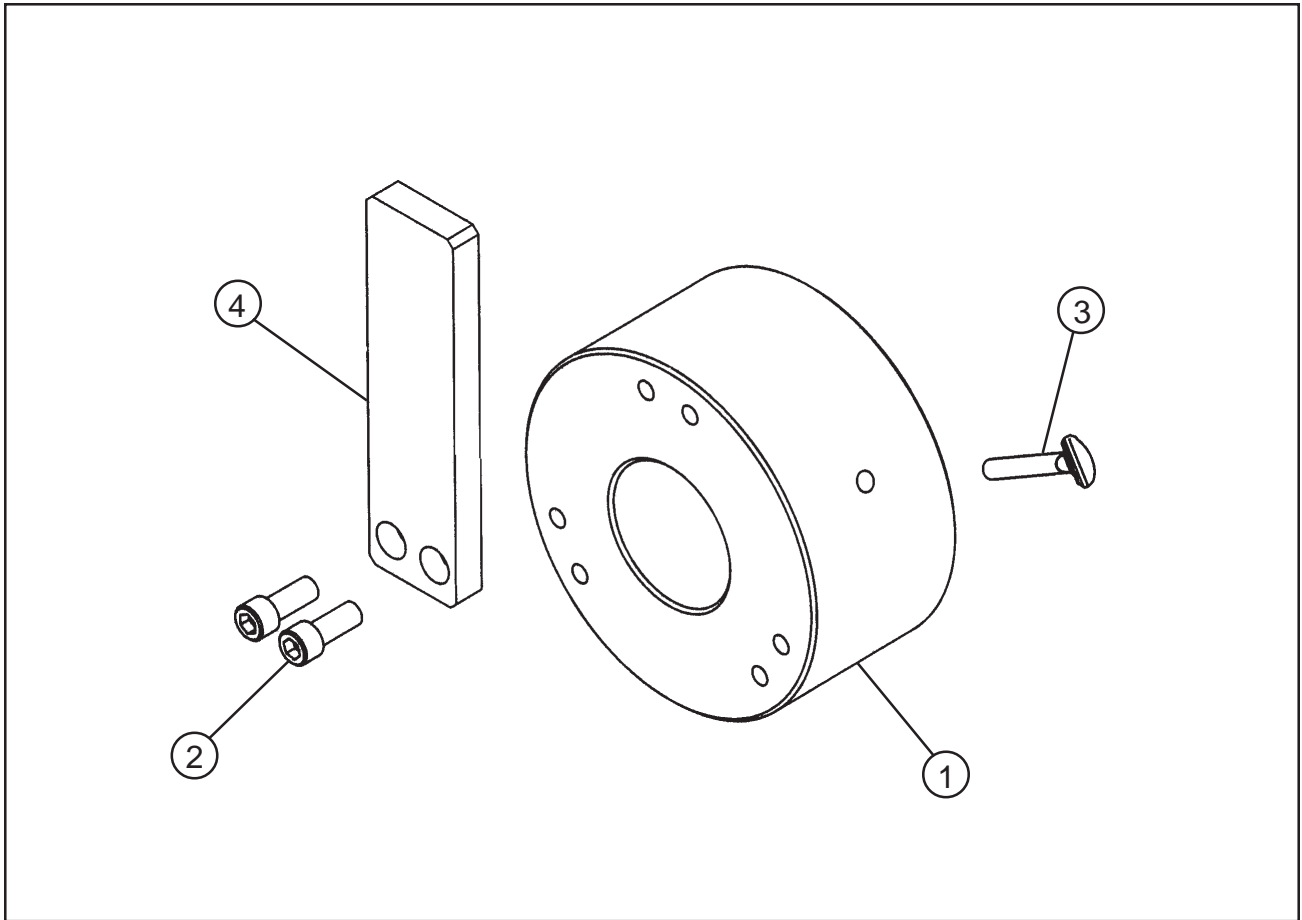
MODEL 208B SQUARING PLATE KIT (P/N 05-1328)



Parts List, Model 208B Squaring Plate Kit (P/N 05-1328)

Item No.	Part No.	Description	Qty
1.	27-0701	ADAPTER, SQ. PLATE, 206B	1
2.	33-0039	SCREW, CAP, 1/4-20 X 5/8"	6
3.	33-2253	SCREW, THUMB, BRASS, 1/4-20 X 2"	1
4.	63-0187	ARM, EXTENSION, 206B	3

MODEL 214B SQUARING PLATE KIT (P/N 05-1329)



Parts List, Model 214B Squaring Plate Kit (P/N 05-1329)

Item No.	Part No.	Description	Qty
1.	27-0702	ADAPTER, SQ. PLATE, 212B	1
2.	33-0053	SCREW, CAP, 5/16-18 X 5/8"	6
3.	33-2253	SCREW, THUMB, BRASS, 1/4-20 X 2"	1
4.	63-0188	ARM, EXTENSION, 212B	3